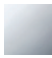

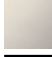





33 507 670

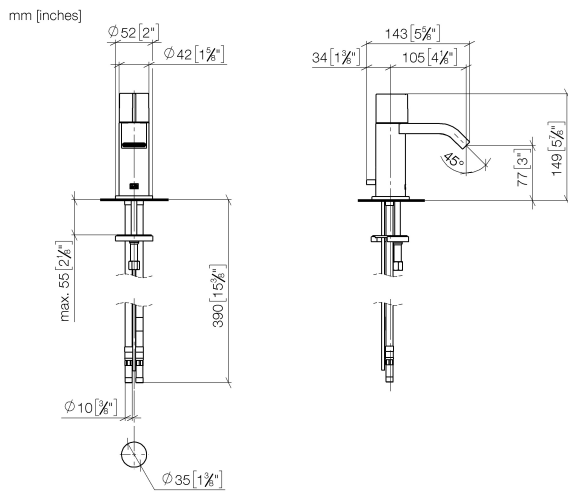


- 105mm projection
- fixed spout
- rectangular, air-enriched flow
- height of mixer 149 mm
- height up to aerator 80 mm
- hole diameter 35 mm
- rosette Ø 52 mm optional
- progressive cartridge
- 2x screw-in M 10 x 1 pressure hose, leak-tested
- max. flow 7 l/min
- lead-free
- This product can help a building meet the requirements of Green Building Rating Systems, e.g. LEED®, BREEAM®, DGNB

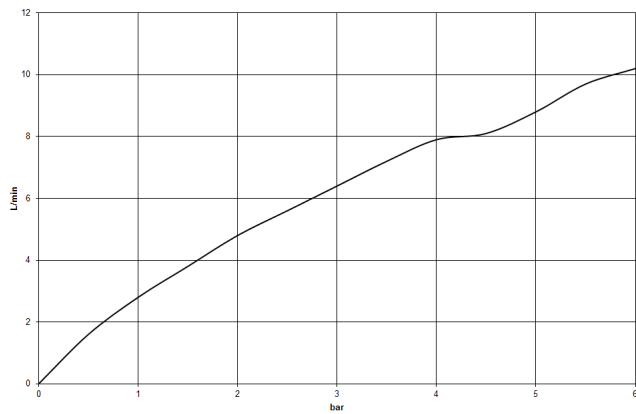
Only suitable for basins with an overflow.

	Chrome	33 507 670-00
	Brushed Platinum	33 507 670-06
	Platinum	33 507 670-08
	Brushed Durabronze (23kt Gold)	33 507 670-28
	Brushed Chrome	33 507 670-93
	Brushed Dark Platinum	33 507 670-99

33 507 670



Flow rate chart



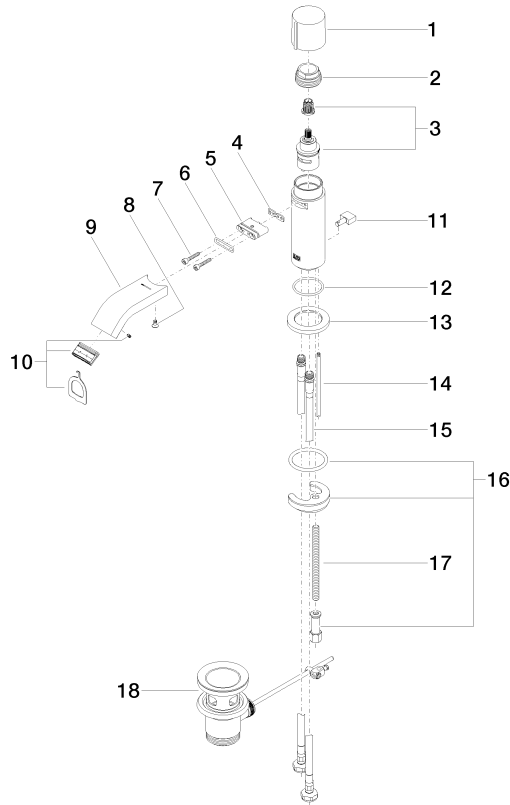
Certificates

LGA\_19486.

ETA\_19965.

GDV\_0400311.

33 507 670



Spare parts list

No.	Item Number	Name	Quantity used	Delivery time
1	09 20 67 001-00	handle	1	10
2	09 23 10 065-00	nut	1	10
3	90 90 03 162 00 90	top	1	2
4	09 14 03 131 90	seal	1	2
5	09 11 03 061 90	connection	1	2
6	09 14 10 053 90	seal	1	2
7	09 30 30 182 90	screw	2	2
8	09 30 30 116 90	screw	1	2
9	09 28 22 238-00	spout	1	10
10	90 29 03 045 00 90	aerator	1	2
11	09 20 67 002-00	handle	1	10
12	09 14 10 104 90	seal	1	2
13	09 27 67 003-00	rosette	1	10
14	09 31 09 080-00	pull-rod	1	10
15	04 30 04 104 00 90	hose	2	2
16	04 30 11 038 00 90	fixing set	1	2
17	09 31 11 012 90	pin	1	2
18	90 11 01 001 00-00	pop-up waste	1	10